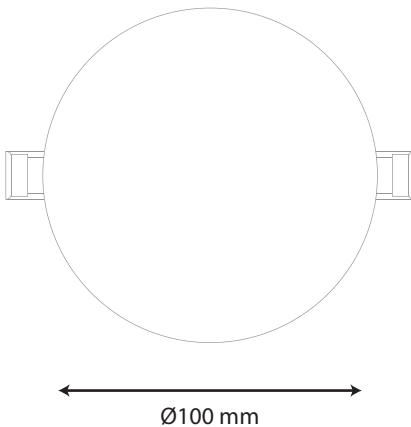




DIMENSION



PRODUCT

Name	LED Panel light
Reference	EI-CFR-10W
Body color	White
Material	Aluminum
Category	Recessed

LIGHTING INFORMATION

Light source	LED
Gross luminous flux	950Lm
Power	10W
Colour temperature CCT	3000 / 4000/ 7000 K
Colour Rendering Index	CRI = 80
Light beam angle	120°
Number of LEDs	75
Chip Type	SMD2835
Dimming	Non Dimmable
Median useful Life	30,000 hours

OTHER DATA

Light Guide Panel (LGP)	Polystyrene (PS)
Ingress Protection	IP20
Dimension (mm)	Ø 100mm
Cut-Size (mm)	Ø 50 - 70mm

Driver OPTIONS

ON / OFF	
Class II	
Frequency Hertz(Hz)	50/60 Hz
Power Factor	0.6
Mains voltage	AC 85-265V
Ingress Protection Code	IP20
Isolated Driver	Yes